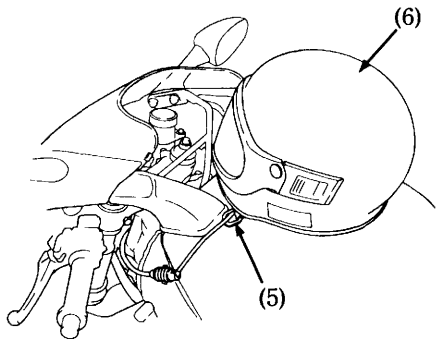


3. Run the cable end through the D-ring (5) of the helmet (6) and under the top fork bridge, then insert it in the lock end.

NOTE:

- * Using the helmet holder lock in any other way than illustrated below may damage the motorcycle, helmet and helmet holder lock.

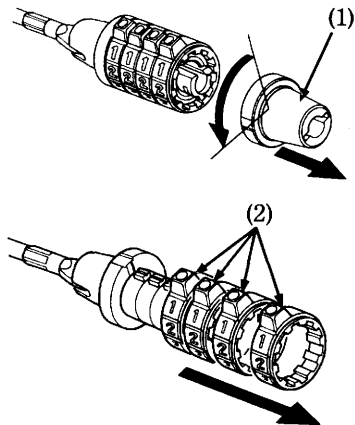


(5) D-ring

(6) Helmet

To set combination:

1. Align the lock's combination. Pull the cable end out of the lock end.
2. Remove the cone (1) by turning it a quarter turn (90°) counterclockwise. Remove the four lock wheels (2).



(1) Cone

(2) Lock wheels