

# Tool Kit

---

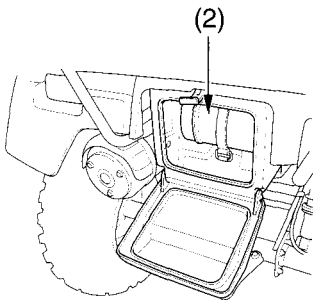
The tool kit (1) is stored in the storage box (2) in the storage compartment below the rear cargo rack.

The tools in the kit are sufficient to perform routine maintenance and simple repairs. Any extensive work requiring additional tools should be performed by your Honda dealer.

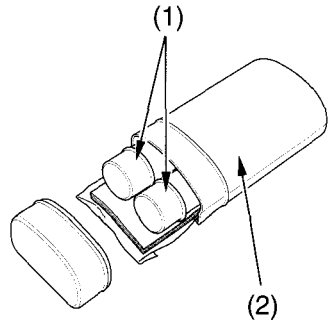
The tool kit includes the following items:

- \* standard/phillips screwdriver
- \* screwdriver handle
- \* 10 × 12 mm open end wrench
- \* 14 × 17 mm open end wrench
- \* spark plug wrench and handlebar
- \* pliers
- \* air pressure gauge
- \* tool case

The screwdriver handle and air pressure gauge are wrapped in a sponge and contained in a tool case.



(1) tool kit



(2) storage box