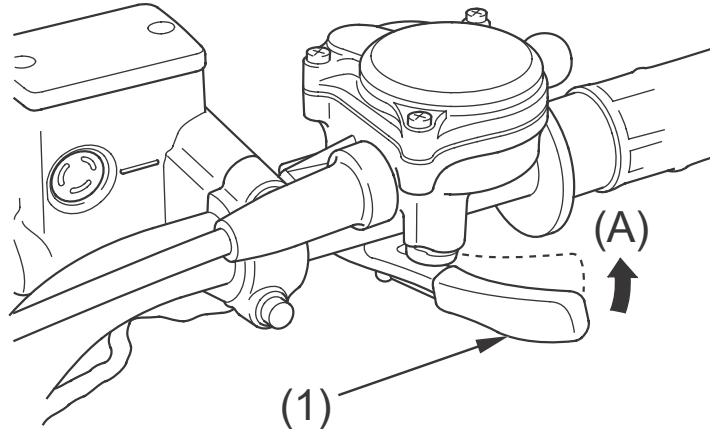


# Controls & Features

---

## Throttle Lever

### RIGHT HANDLEBAR



- (1) throttle lever
- (A) to open the throttle

The throttle controls engine rpm (speed). To increase engine rpm, press the throttle lever ( 1 ) with your thumb. To reduce engine rpm, release pressure on the throttle lever. The throttle will automatically return to the closed position (engine idle) when you remove your thumb.

## Clutch Lever/Parking Brake Lever

The clutch lever/parking brake lever is used to disengage the clutch whenever you shift gears. To operate, pull the clutch lever/parking brake lever in all the way before shifting, then slowly release it after shifting. See *Clutch System*, page 119 .

The clutch lever/parking brake lever is also used to set the parking brake (page 27 )