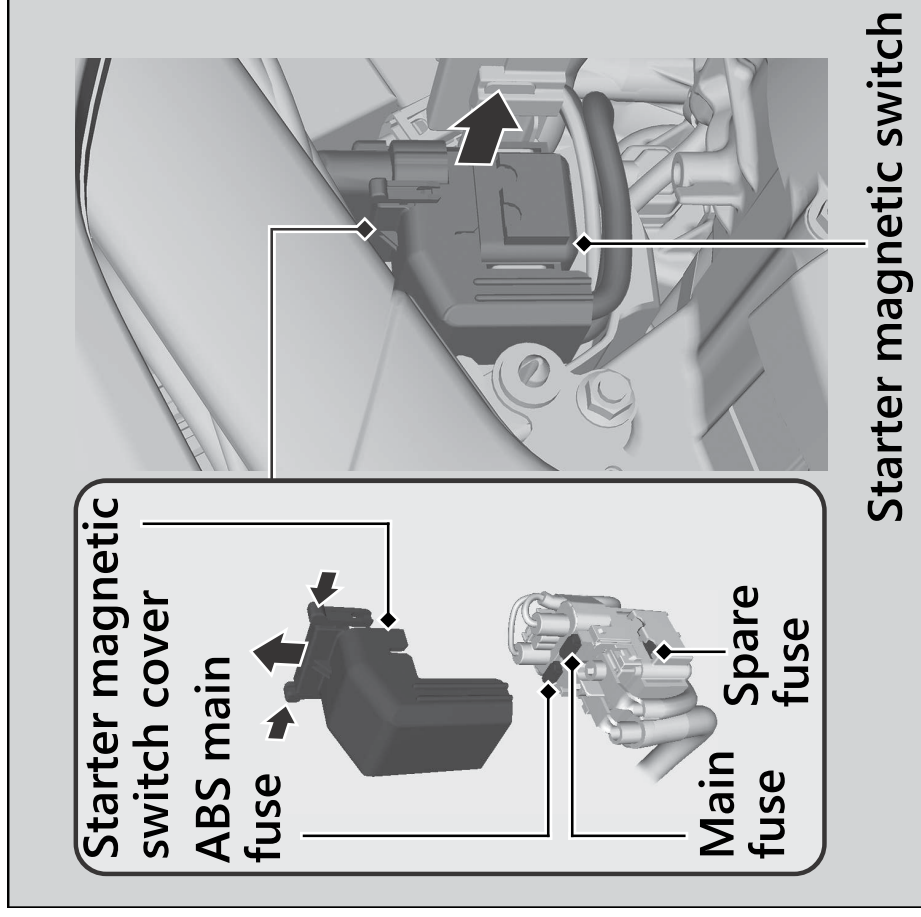


## ■ Main Fuse & ABS Main Fuse



1. Remove the battery box cover. ► P. 249
2. Pull the starter magnetic switch out.
3. Remove the starter magnetic switch cover.
4. Pull the main fuse and ABS main fuse out with the fuse puller provided on the underside of the rear seat (► P. 222) one by one check for a blown fuse. Always replace a blown fuse with a spare fuse of the same rating.
  - Spare main fuse and spare ABS main fuse are provided in the starter magnetic switch.
5. Reinstall parts in the reverse order of removal.