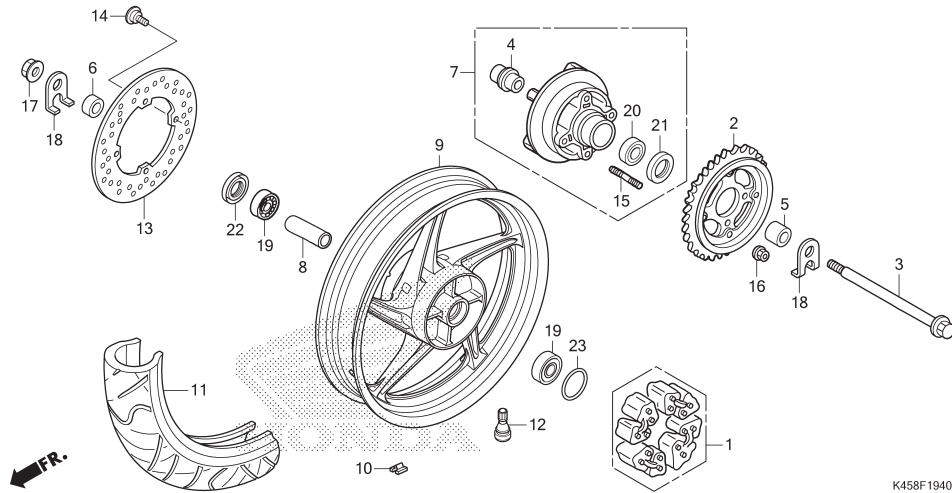


F-19-40

REAR WHEEL



No. Ref.	L.O.N.	(Nomor ref. relatif) Deskripsi	F.R.T.
1		(23)	
	710157	DAMPER, REAR WHEEL	0,3
2	7101A0	SPROCKET, FINAL DRIVEN	0,4
3		(21)	
	710160	AXLE, REAR WHEEL	0,3
7	7101A5	FLANGE ASSY., FINAL DRIVEN	0,4
9	710118	REAR WHEEL	1,0
		.TERMASUK: Balancing	
		CATATAN:Termasuk No. Ref. 8,12,19,22,23	
10	7101E1	WEIGHT, BALANCE :REAR	0,6
11	710142	REAR TIRE(SATU)	0,9
		.TERMASUK: Balancing	
13	711145	DISC, REAR BRAKE	0,4
19	710133	BEARING, REAR WHEEL(SATU)	0,5
	710133G	.Ganti 1 bearing tambahkan	0,1
20	7101D1	BEARING, FINAL DRIVEN FLANGE	0,5

No. Ref.	No. Part	Deskripsi	Jumlah CBR150R F	No. Seri	Kode Parts Catalog
1	06410-KSP-900	DAMPER SET, WHEEL	1		
2	41200-K45-N00	SPROCKET COMP., FINAL DRIVEN(46T)	1		
3	42301-K45-N00	AXLE, RR. WHEEL	1		
4	42303-KPP-T00	SLEEVE, RR. WHEEL	1		
5	42311-K45-N00	COLLAR, L. RR. WHEEL SIDE	1		
6	42313-K45-N00	COLLAR, R. RR. WHEEL SIDE	1		
7	42615-K45-N00ZC	FLANGE SUB ASSY., DRIVEN			
		YR271..... NITRIC ORANGE	1	REPSOL
	42615-K45-N00ZB	*NH303M*..... MAT AXIS GRAY METALLIC	1	THREE COLOR,STANDARD
8	42620-KPP-T01	COLLAR, RR. AXLE DISTANCE	1		
9	42601-K45-N00ZC	WHEEL, RR.			
		YR271..... NITRIC ORANGE	1	REPSOL
	42601-K45-N00ZB	*NH303M*..... MAT AXIS GRAY METALLIC	1	THREE COLOR,STANDARD
10	42704-MER-D00	WEIGHT, BALANCE(10G)	N		
	42705-MER-D00	WEIGHT, BALANCE(20G)	N		
	42706-MER-D00	WEIGHT, BALANCE(30G)	N		
11	42711-K45-N01	TIRE, RR.(130/70-17 M/C 62P)	1		
12	42753-KWF-901	VALVE, RIM(TRITON)	1		
13	43251-KCJ-672	DISK, RR. BRAKE	1		
14	90105-KGH-901	BOLT, BRAKE DISK, 8X24	4		
15	90128-K45-N00	BOLT, STUD, 10X22	4		
16	90304-KGH-901	NUT, U, 10MM	4		
17	90305-KCJ-951	NUT, U, 14MM	1		
18	90559-K45-N00	WASHER, RR. AXLE	2		